

Cabinet Planning Guide

Name _____ Date _____

Membership number _____ Estimated Date of Completion _____

Phone#/Cell# _____ Location of Project _____

Email _____ State _____ Zip _____

Once the guide is completed call 855-871-7788 to get started.

LIFESTYLE

How many in your family? Adults _____ Kids _____

Cook's height _____

Disability or medical consideration _____

Eating area in the kitchen? Yes No

Do you entertain often? Yes, formally Yes, informally No

Personal Activities Hobbies Homework Bill Paying/Filing
 Laundry Other _____

Storage needs Large Items (Pans) Wine Bulk Foods
 Collectibles/China Recycling Other _____

PROJECT DETAILS

Room Selection [Complete 1 planner per room.]

- Kitchen
- Laundry
- Mudroom
- Wet Bar
- Master Bath
- Guest Bath
- Powder Bath
- Entertainment Center
- Other

Type of Project

- New Construction
- Remodel

Installation

- Who will install your cabinets?
- Professional installer/contractor
 - Do-it-yourself

Budget

Please select the most realistic budget for cabinetry only.

- under \$5,000
- \$5,000-\$10,000
- \$10,000-\$15,000
- \$15,000-\$20,000
- \$20,000-\$25,000
- \$25,000-\$30,000
- \$30,000-\$35,000
- Over \$35,000

Cabinet Brand / Manufacturer

PRIMARY CABINETRY

Room Style

- Contemporary
- Traditional
- Transitional

Door Style Name of Door Style Selection: _____

- Slab
- Shaker
- Cottage
- Cathedral
- Raised Par

Wood Type

- Alder
- Hickory
- Maple
- Quarter Sawn Oak
- Rustic Cherry
- Cherry
- Lyptus
- Oak
- Rustic Alder
- Rustic Hickory

Color _____
 _____ Glaze Yes No

Drawer Header (available on select styles)

- Slab
- 5-piece

Box Construction

- Particleboard
- Plywood

Door Hinging

- Standard
- Soft close

Exposed Ends

- Matching melamine
- Plywood Veneer
- Flush Veneer
- Matching End Panel

ACCENT CABINETRY

Room Style

- Contemporary
- Traditional
- Transitional

Door Style Name of Door Style Selection: _____

- Slab
- Shaker
- Cottage
- Cathedral
- Raised Panel

Wood Type

- Alder
- Hickory
- Maple
- Quarter Sawn Oak
- Rustic Cherry
- Cherry
- Lyptus
- Oak
- Rustic Alder
- Rustic Hickory

Color _____
 _____ Glaze Yes No

Drawer Header (available on select styles)

- Slab
- 5-piece

Box Construction

- Particleboard
- Plywood

Door Hinging

- Standard
- Soft close

Exposed Ends

- Matching melamine
- Plywood Veneer
- Flush Veneer
- Matching End Panel

Measure the existing room

ROOM INFORMATION

Measure the dimensions requested below for the cabinetry as it exists in the room today. (See diagram at right.)

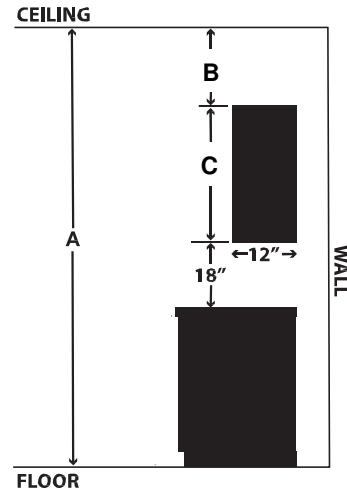
Record measurements in inches, on the lines indicated below:

A Finished Floor to Ceiling Height _____

Ceiling Height Varies Yes No / Cathedral Beams Soffit

B Soffit/Open Area Height _____

C Wall Cabinet Height _____



WINDOW AND DOOR DIMENSIONS

Measure the dimensions of all the windows and doors in the room. For door measurements use A for door width and B for door height. Also, make note of the door hinge and swing.

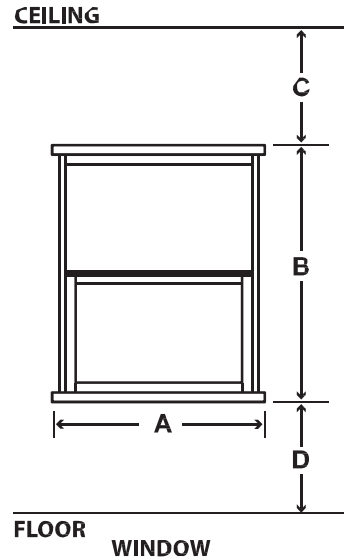
Window and door measurements A and B should include trim.

Use the number designation from the grid (1, 2, 3, etc.) to label the location of the windows and doors on your final floor plan.

Please record all dimensions in inches.

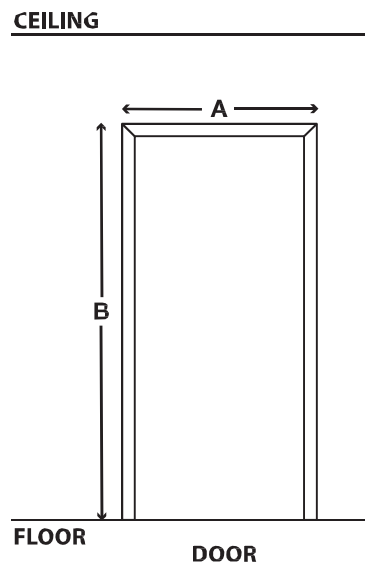
Windows

	A	B	C	D
1				
2				
3				
4				



Doors

	A	B	Hinge (left/right)	Swing (in/out)
1				
2				
3				
4				



Appliance specifications

Appliance specifications			TO BE FILLED OUT BY DESIGNER		
APPLIANCE	BRAND	MODEL	Appliance Dimensions Width x Height x Depth	Cutout Dimensions Width x Height x Depth	Panel Dimensions Width x Height x Depth
Refrigerator with panel <input type="radio"/> YES <input type="radio"/> NO <input type="radio"/> Standard / Regular <input type="radio"/> Counter depth <input type="radio"/> Built-in					
Range					
Range Hood					
Cooktop					
Downdraft Ventilator					
Oven <input type="radio"/> Single <input type="radio"/> Double					
Microwave <input type="radio"/> Counter / Regular <input type="radio"/> Over the range <input type="radio"/> Built-in <input type="radio"/> Microwave drawer					
Dishwasher with panel <input type="radio"/> YES <input type="radio"/> NO <input type="radio"/> Drawer					
Sink <input type="radio"/> Under-mount <input type="radio"/> Farm / Apron Front					
Prep Sink Location _____ <input type="radio"/> Under-mount <input type="radio"/> Farm / Apron Front					
Trash Compactor with panel <input type="radio"/> YES <input type="radio"/> NO					
Wine/Bev. Cooler with panel <input type="radio"/> YES <input type="radio"/> NO					
Warming Drawer with panel <input type="radio"/> YES <input type="radio"/> NO					
Ice Maker (stand-alone) with panel <input type="radio"/> YES <input type="radio"/> NO					
Washer <input type="radio"/> Standard / Regular <input type="radio"/> Stacked Pedestals <input type="radio"/> Yes <input type="radio"/> No					
Dryer <input type="radio"/> Standard / Regular <input type="radio"/> Stacked Pedestals <input type="radio"/> Yes <input type="radio"/> No					
Television Size _____					
Other					

Appliances need to be selected and ready for purchase prior to any design work being completed.

Please note: Revisions 1 and 2 are complementary, additional revisions may incur a revision charge. Please be as thorough as possible.

Once the guide is completed call 855-871-7788 to get started.